

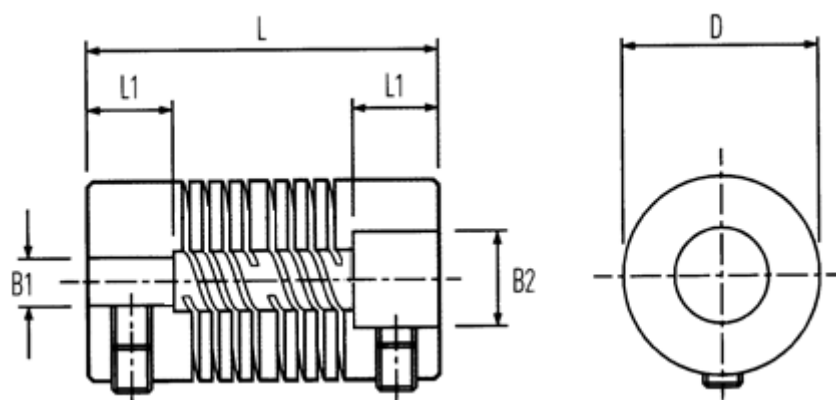
# Data Sheet



Article number: 339702250000

Description: Multibeam 6 Coupling 702.25.0000  
St. steel & set screw hubs

## Measures



B1: Pre-drilled = 5.0

B2: Pre-drilled = 8.00

D = 25.4

L = 38.1

L1 = 11.0

Max angular displacement = 0.38

Max B1 & B2 = 12.70

Max parallel displacement = 7

Peak Torque NM = 16.00

Set Screw = M5